

Instrument #: 2024-2649
 11/14/2024 12:42:29 PM Total Pages: 1
 ZSC SECTION CORNER CERTIFICATE
 Recording Fee: \$7.00 Transfer Tax: \$0
 Shari L. Jones, Recorder, Jones County Iowa



PREPARED BY: MICHAEL J. WEBER, WEBER SURVEYING, LLC, 26789 46TH AVE, BERNARD, IA 52032 (563) 879-4173

UNITED STATES PUBLIC LAND SURVEY CORNER CERTIFICATE OF

LAND SURVEY MONUMENTS SITUATED IN SECTION 13, TOWNSHIP 83 NORTH, RANGE 1 WEST OF THE FIFTH PRINCIPAL MERIDIAN, JONES COUNTY, IOWA.

PREVIOUSLY RECORDED INSTR. NO. 2004 1109
(Book, page, document number, etc.)

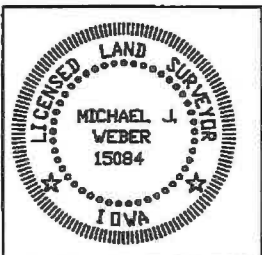
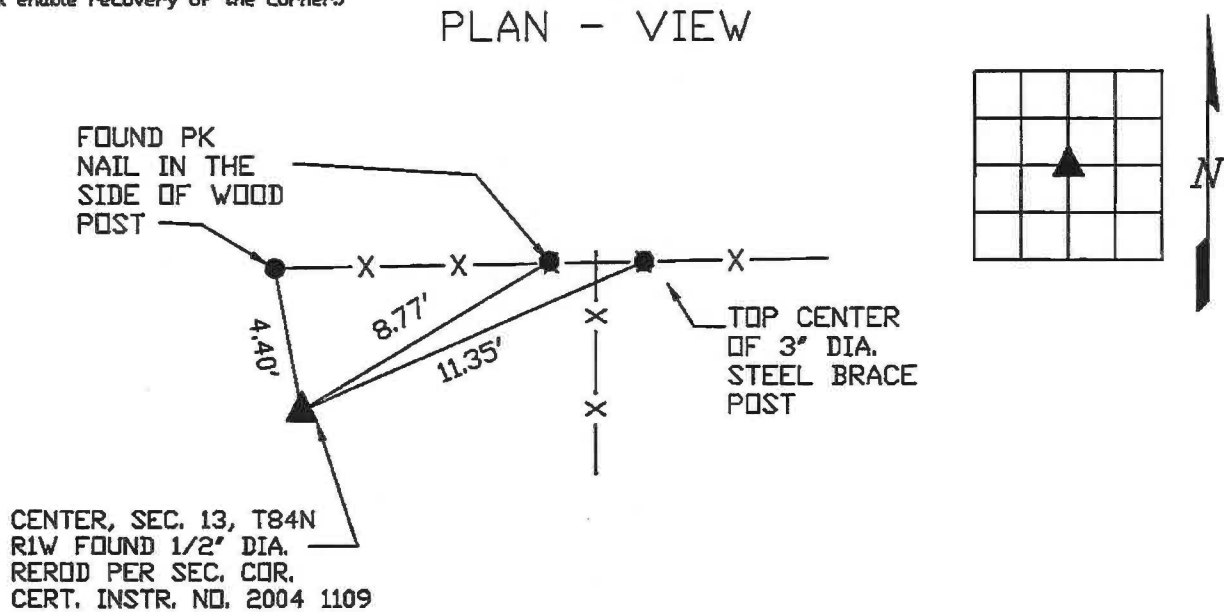
(Show reason for preparing this certificate, the evidence and detailed procedures used in establishing the corner positions and monumentation found or placed.)

Monument Description and Remarks:

-CENTER, SEC. 13, T84N R1W FOUND 1/2" DIA. REROD PREVIOUSLY RECORDED IN SEC. COR. CERT. INSTR. NO. 2004 1109. RE-ESTABLISHED TIES.

(Show a minimum of three reference ties to durable physical objects, relevant monuments and physical conditions that will enable recovery of the corner.)

PLAN - VIEW



I HEREBY CERTIFY THAT THIS LAND SURVEYING DOCUMENT WAS PREPARED AND THE RELATED SURVEY WORK WAS PERFORMED BY ME OR UNDER MY DIRECT PERSONAL SUPERVISION AND THAT I AM A DULY LICENSED LAND SURVEYOR UNDER THE LAWS OF THE STATE OF IOWA.
Michael J. Weber November 12, 2024
 MICHAEL J. WEBER (DATE)
 LICENSE NUMBER 15084
 MY LICENSE RENEWAL DATE IS DECEMBER 31, 2025
 SHEETS COVERED BY THIS SEAL : This Sheet

List Corners to be Indexed	
Corner	Sec Twp Range
CENTER,	13-83N-1W
	DWG. 24025

2004 1109
FILED
RECORDERS OFFICE
JONES COUNTY IOWA

04 APR -2 AM 9:11

MARIE KRUTZFIELD
RECORDER 11.00Pd

PREPARED BY:
Landmark 511 South 4th Street
Clinton, IA 52732
ENGINEERING GROUP, INC (563) 243-1398

UNITED STATES PUBLIC LAND SURVEY CORNER CERTIFICATE
OF

SLSI 9-90

Land Survey Monuments situated in Section 13, Township 83 NORTH, Range 1 WEST, of the Fifth Principal Meridian, JONES County, Iowa.
Previously recorded in N/A, Page N/A in County Recorder's Office.

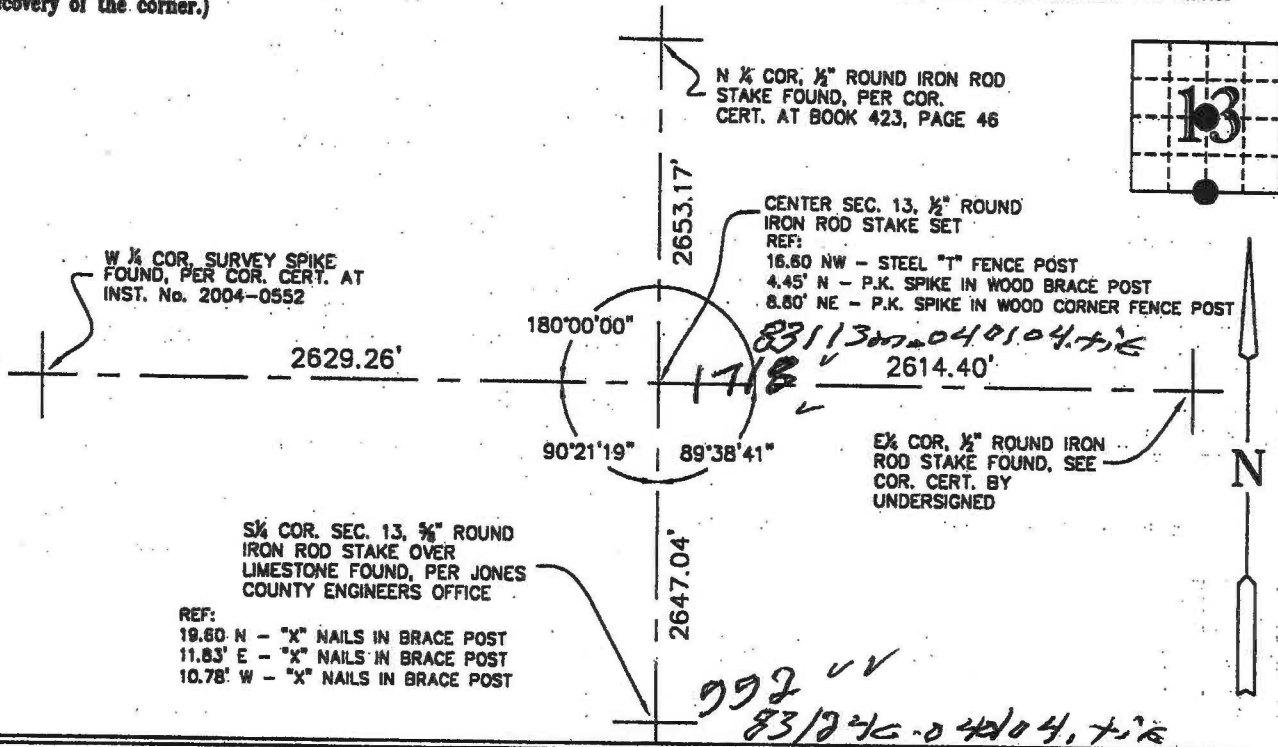
(Show reason for preparing this certificate, the evidence and detailed procedures used in establishing the corner positions and monumentation found or placed.)

Monument Description and Remarks: S 1/4 COR, 5/8" ROUND IRON ROD STAKE FOUND PER JONES COUNTY ENGINEERS OFFICE; CENTER SEC. 13, 1/2" ROUND IRON ROD STAKE SET AT THE INTERSECTION OF THE NORTH-SOUTH QUARTER LINE AND THE EAST-WEST QUARTER LINE; SEARCH AREA 20'

04-04-126

PLAN - VIEW

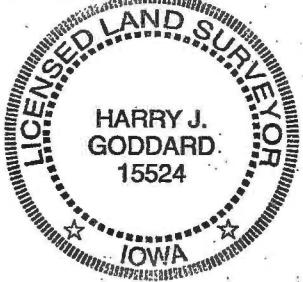
(Show a minimum of three reference ties to durable physical objects, relevant monuments and physical conditions that will enable recovery of the corner.)



I hereby certify that this land surveying document was prepared and the related survey work was performed by me or under my direct personal supervision and that I am a duly licensed land surveyor under the laws of the State of Iowa.

Harry J. Goddard April 1, 2004
Harry J. Goddard Date

My license is subject to renewal on Dec. 31, 2004
License No. 15524



Only those copies of this page signed in red color and displaying surveyors original

Seal are to be considered certified official copies. (Iowa Admin. Code 193C-1.30)

List Corners to be Indexed			
Corners	Section	Twp	Range
S 1/4	13	83N	1 W
CENTER	13	83N	1 W

2